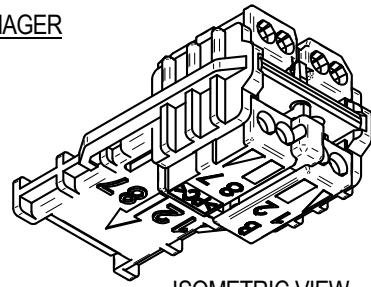
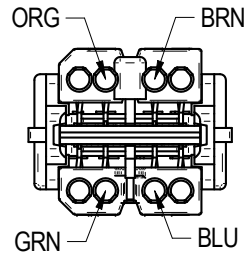
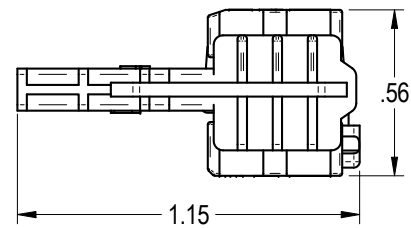


WIRE MANAGER



ISOMETRIC VIEW



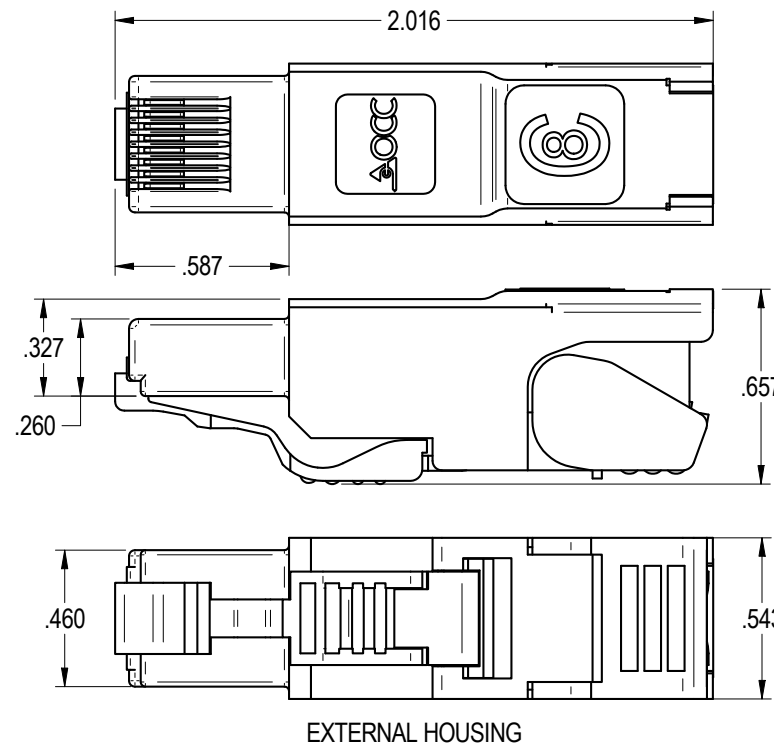
PIN ASSIGNMENT T568B
ACCORDING TO TIA 568-C.2

NOTES: UNLESS OTHERWISE SPECIFIED.

1. PRODUCT APPROVAL REQUIRES CERTIFICATION OF COMPLIANCE TO E.U. RoHS DIRECTIVE 2002/95/EC

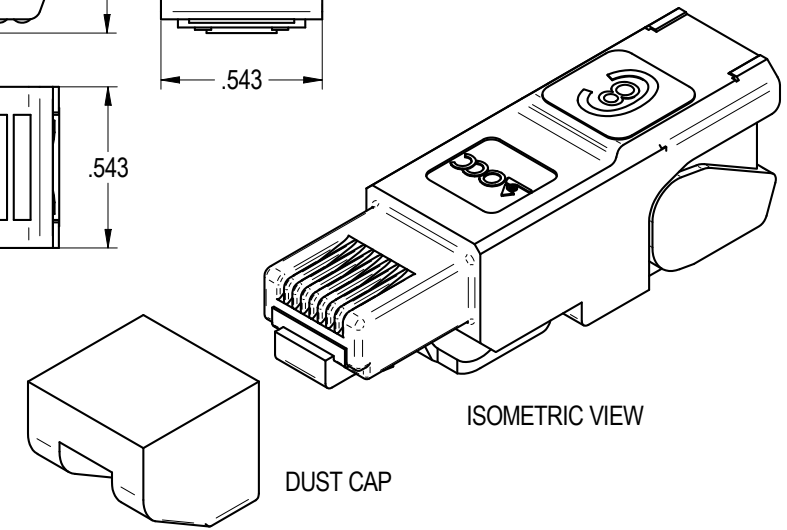
2. PERFORMANCE CHARACTERISTICS:

- CATEGORY 8: MEETS ANSI/TIA-568-C.2-1 CATEGORY 8 SPECIFICATIONS
- SUPPORTS IEEE 802.3bq 40GBASE-T ETHERNET
- PLUG: IEC 60603-7-41
- LIFE: ³ 750 MATING CYCLES
- CONTACT FINISH MATERIAL: HARD Au OVER Ni
- SHIELDING HOUSING MATERIAL: DIE-CAST NICKEL-PLATED ZINC
- COPPER CONDUCTOR GAUGE: SOLID: 24 - 22 AWG
STRANDED: 22/7 - 27/7 AWG
- COPPER CONDUCTOR INSULATION DIAMETER: .039" - .063"
- OVERALL CABLE JACKET DIAMETER: .196" - .354"
- IDC LIFE: £ 4 CYCLES
- TEMPERATURE RANGE: -40°C - 85°C
- POWER OVER ETHERNET PLUS (PoE+) IN ACCORDANCE WITH IEEE 802.3at
- UL 1863 COMMUNICATIONS-CIRCUIT ACCESSORIES
- UL 2043 CERTIFICATION FOR USE IN AIR HANDLING SPACES



EXTERNAL HOUSING

"OPTICAL CABLE CORPORATION (OCC)
RESERVES THE RIGHT TO REVISE ANY
AND ALL DESIGN SPECIFICATIONS."
UNCONTROLLED COPY



ISOMETRIC VIEW

DUST CAP

THIRD ANGLE PROJECTION	
CRITICAL DIMENSION CODE	(F) = FUNCTION (M) = MATING (A) = AUDIT
MATERIAL	SEE NOTES
FINISH	SEE NOTES

OCCSFP8		PLUG, CAT8, T568B, STP, FIELD TERMINABLE	
OCC PART NO.		DESCRIPTION	
THIS DRAWING AND THE DESIGN SHOWN ARE THE PROPERTY OF OPTICAL CABLE CORPORATION AND MAY NOT BE USED AS THE BASIS FOR MANUFACTURE OR SALE WITHOUT SPECIFIC WRITTEN PERMISSION OF OPTICAL CABLE CORPORATION.			
DRAWN	D.A.HOLBERT	DATE	7/14/14
CHECKED	S.PORACH	DATE	7/24/14
ENGINEER	J.YANIK	DATE	7/14/14
APPROVED	J.CALLOWAY	DATE	8/31/18
PREVIOUS DWG		SIZE	B
NEXT DWG	FILENAME C112169A.dft	DWG NO.	C112169
	SCALE: NONE	REV	A
	SHEET	1 OF 1	



33 Superior Way
Swannanoa, NC 28778
Phone: 828-298-2260
Fax: 828-298-2487
www.occfiber.com